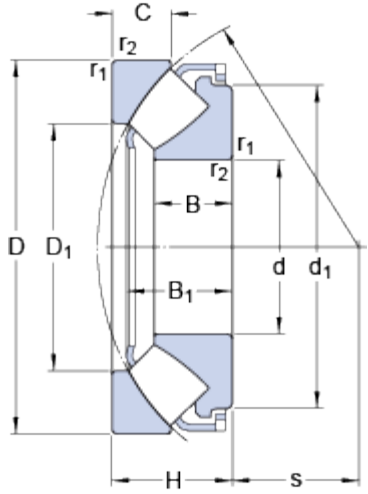


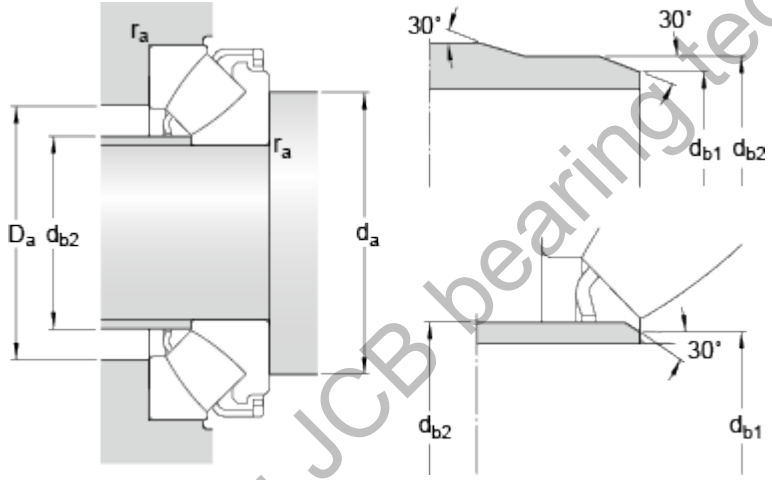
29424EX

Dimensions



d	120	mm
D	250	mm
H	78	mm
d ₁	≈ 216	mm
D ₁	≈ 171	mm
B	50.5	mm
B ₁	70.3	mm
C	36.5	mm
s	74	mm
r _{1,2}	min. 4	mm

Abutment dimensions



d _a	min. 180	mm
d _{b1}	max. 132	mm
d _{b2}	max. 142	mm
D _a	max. 209	mm
r _a	max. 3	mm

Calculation data

Basic dynamic load rating	C	1370	kN
Basic static load rating	C ₀	3450	kN
Fatigue load limit	P _u	375	kN
Reference speed		1500	r/min
Limiting speed		2600	r/min
Minimum axial load factor	A	1.1	

Mass

Mass bearing		17.5	kg
--------------	--	------	----